



# A51

1U Passive Air Cooler

**PRODUCT SPECIFICATIONS**

Specification Version: 07/01/2023

*(Specifications are subject to change without notice)*

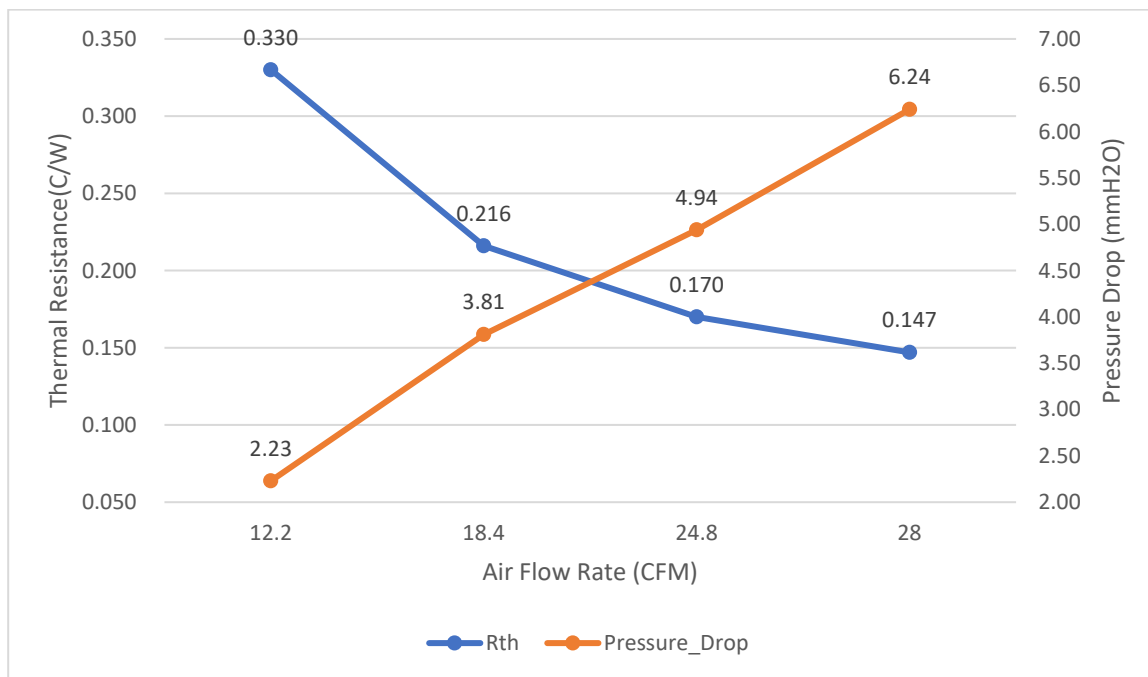
## Model Number: A51

- Recommend for AMD® CPU as following
  - AMD® EPYC™ Processor, Socket SP6
- Passive Air Cooler for 1U Server and Up

## Overall Specification

|                |  |
|----------------|--|
| Dimension      | 120.0 x 82.0 x 27.0 mm                           |
| Weight         | 500g   |
| Material       | Copper 1100 Vapor Chamber and Copper Stacked Fin |
| Thermal Grease | Shin-Etsu 7762 or Equivalent                     |
| TDP            | Up to 205 Watts (at 25CFM)                       |

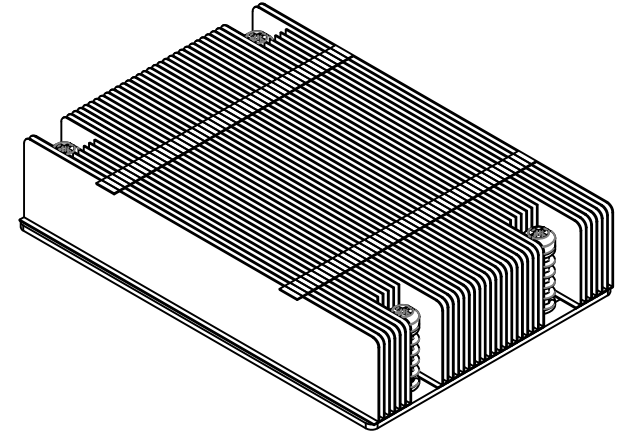
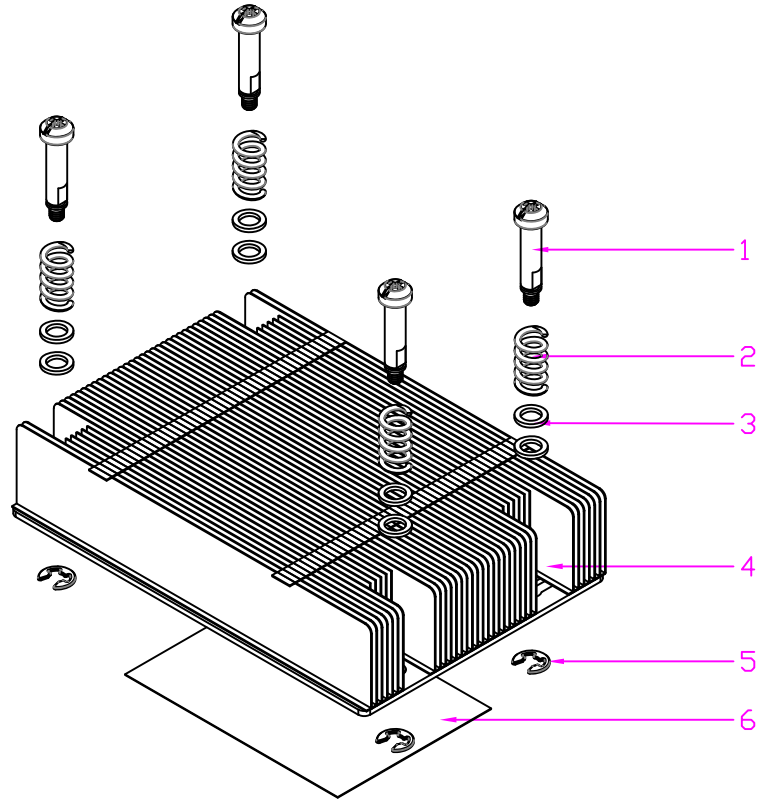
## Performance Chart: Passive Cooler A51 Thermal Resistance vs. Air Flow Rate




**CONFIDENTIAL DOCUMENT**

THIS DRAWING CONTAINS INFORMATION PROPRIETARY TO DYNATRON CORPORATION AND DYMAED INDUSTRIAL CO., LTD. ANY REPRODUCTION, DISCLOSURE, OR USE OF THIS DRAWING IS EXPRESSLY PROHIBITED EXCEPT AS DYNATRON CORPORATION AND DYMAED INDUSTRIAL CO., LTD. MAY OTHERWISE AGREE TO IN WRITING.

| REV# | DESCRIPTION                | CHECKER | DATE     |
|------|----------------------------|---------|----------|
| 0.0  | INITIAL RELEASE            | Engr.   | 06/30/23 |
| 0.1  | THERMAL GREASE SIZE UPDATE | Engr.   | 07/01/23 |



| 6      | THERMAL GREASE          | SHIN-ETSU X-23-7762         | N/A  |
|--------|-------------------------|-----------------------------|------|
| 5      | HEATSINK CLIP           | STEEL                       | 4    |
| 4      | HEATSINK                | COPPER VC BASE, COPPER FINS | 1    |
| 3      | HEATSINK, WASHER        | STEEL                       | 8    |
| 2      | HEATSINK, SPRING (0890) | STEEL                       | 4    |
| 1      | HEATSINK, SCREW (4380)  | STEEL                       | 4    |
| ITEM # | DESCRIPTION             | MATERIAL                    | QTY. |

|            |          |       |   |
|------------|----------|-------|---|
|            | DATE     | NAME  | <br>DYNATRON CORPORATION |
| DRAWN      | 07/01/23 | Engr. |   |
| CHECKED    | 07/01/23 | Engr. | TITLE:<br>1U Air CoolerA51<br>BDM & Exploded Assembly Drawing   |
| ENG. APPR. |          |       |   |
| MFG. APPR. |          |       |   |
| QA         |          |       |   |
| COMMENTS   |          |       | DWG. No:<br>DYN-EP-A51  |
|            |          |       | REV<br>0.1  |

**NOTES:**

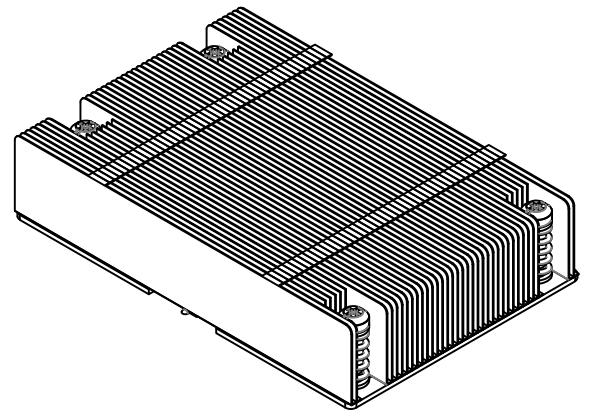
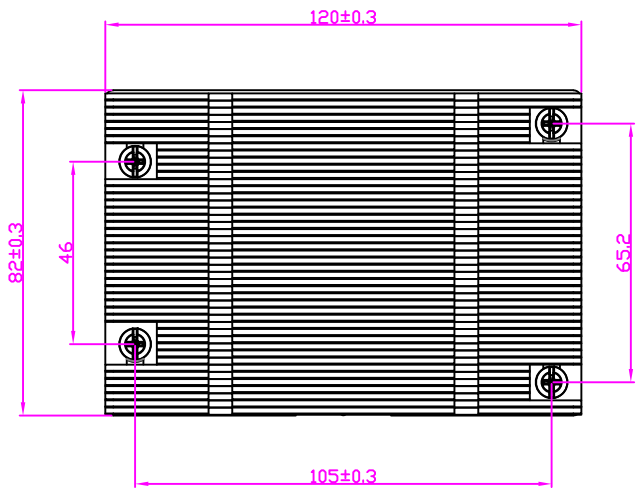
1. THE FIGURE IS FOR REFERENCE ONLY, AND NOT FOR SCALE

1 2 3 4 5 6 7

| REV# | DESCRIPTION     | CHECKER | DATE     |
|------|-----------------|---------|----------|
| 0.0  | INITIAL RELEASE | Engr.   | 06/30/23 |

A

A

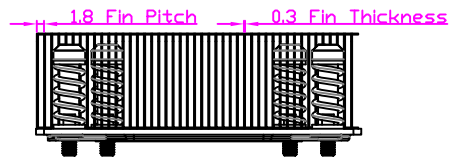
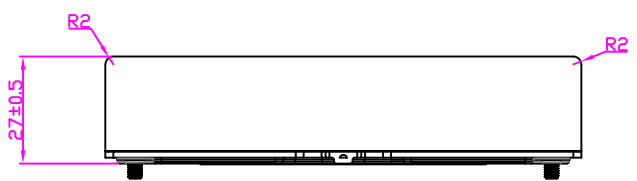


B

B

C

C

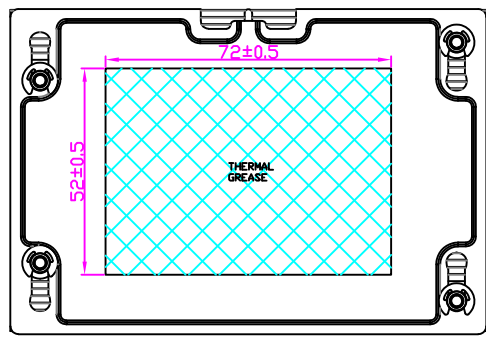


D

D

E

E



F

F

G

G

|               | NAME | DATE       |
|---------------|------|------------|
| DRAWN BY      | ENGR | 06/30/2023 |
| CHECKED BY    | ENGR | 06/30/2023 |
| ENG. APPROVED |      |            |
| MFG. APPROVED | -    | -          |



**DYNATRON CORPORATION**

TOP MOTOR

TITLE: 1U Air Cooler A51  
Overall Dimension Drawing

**CONFIDENTIAL DOCUMENT**  
THIS DRAWING CONTAINS INFORMATION PROPRIETARY TO DYNATRON CORPORATION AND DYNAEDN INDUSTRIAL CO., LTD. ANY REPRODUCTION, DISCLOSURE, OR USE OF THIS DRAWING IS EXPRESSLY PROHIBITED EXCEPT AS DYNATRON CORPORATION AND DYNAEDN INDUSTRIAL CO., LTD. MAY OTHERWISE AGREE TO IN WRITING.

|       |    |
|-------|----|
| VIEW  |    |
| UNITS | MM |

DWG. No: DYN-DM-A51

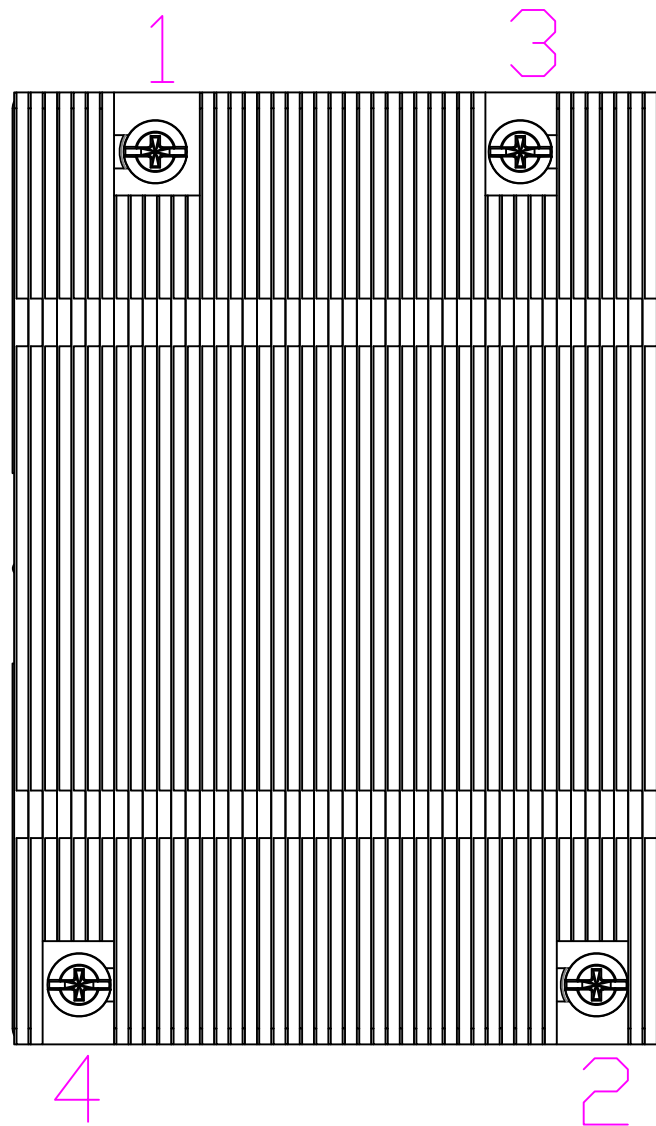
REV. 0.0

H

H

1 2 3 4 5 6 7

# SOCKET SP6 COOLER INSTALLATION INSTRUCTION



HEATSINK ASSEMBLY  
ORDER 1,2,3,4

HEATSINK DISASSEMBLY  
ORDER 4,3,2,1

TORQUE = 12.5 - 15.1 KG -CM

ALL SCREWS SHOULD BE  
TIGHTENED/RELEASED EVENLY, AVOIDING  
TIGHTENING/RELEASING ANY SCREWS TO THE  
BOTTOM/TOP AT ONCE

**A51 | Socket SP6**

## Publication History:

07/01/2023: Thermal Grease Size Update

06/30/2023: Initial Release

*(Specifications are subject to change without notice)*