



# A46

1U Passive Air Cooler

**PRODUCT SPECIFICATIONS**

Specification Version: 12/15/2022

*(Specifications are subject to change without notice)*

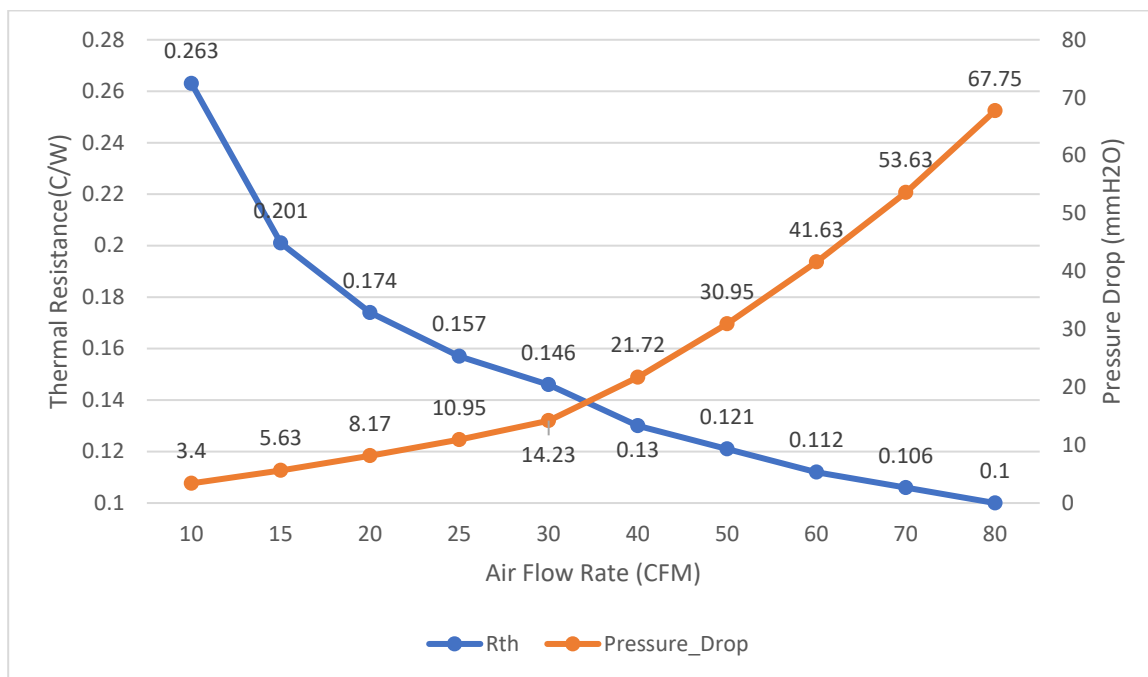
## Model Number: A46

- Recommend for AMD® CPU as following
  - AMD® Ryzen® Processor Family, Socket AM5
- Passive Air Cooler for 1U Server and Up

## Overall Specification

Dimension	110.0 x 80.0 x 26.9 mm
Weight	440 g
Material	Copper Fin + Vapor Chamber
Thermal Grease	Shin-Etsu 7762 or Equivalent
TDP	145W at 30° ambient temperature

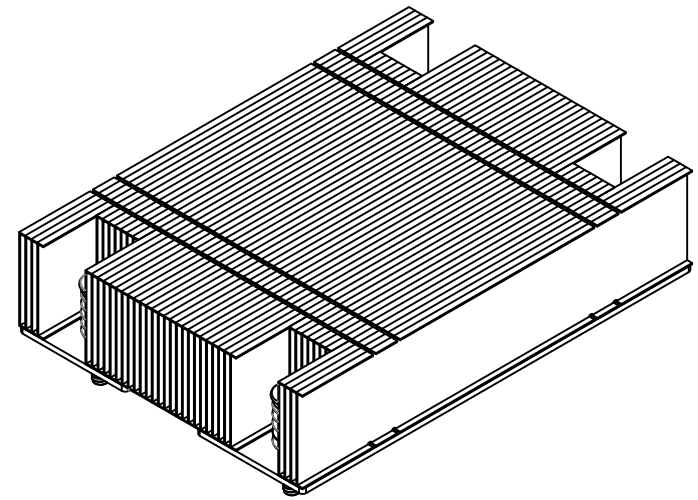
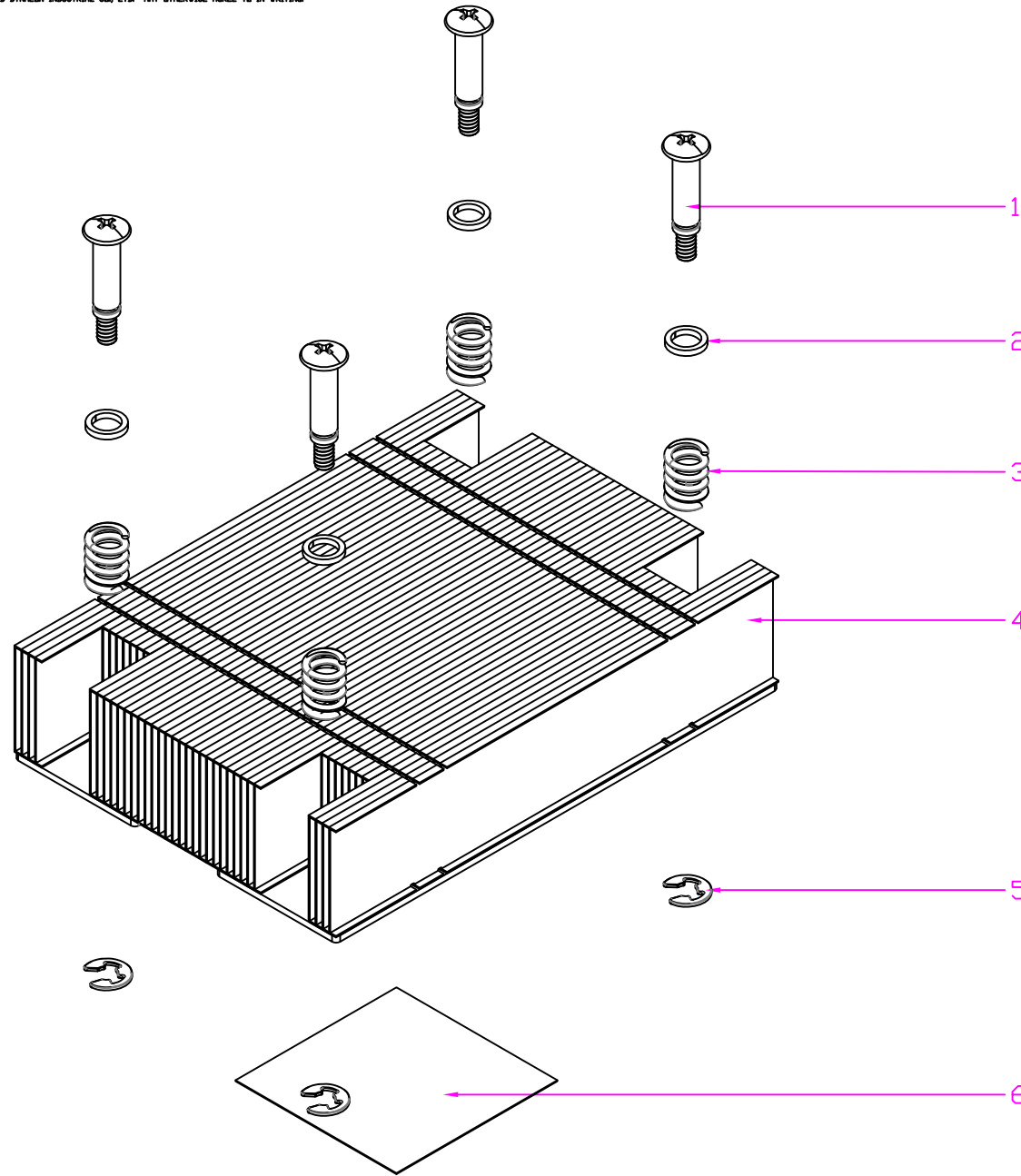
## Performance Chart: Active Cooler A46 Thermal Resistance vs. Airflow




**CONFIDENTIAL DOCUMENT**

THIS DRAWING CONTAINS INFORMATION PROPRIETARY TO DYNATRON CORPORATION AND DYNAEON INDUSTRIAL CO., LTD. ANY REPRODUCTION, DISCLOSURE, OR USE OF THIS DRAWING IS EXPRESSLY PROHIBITED EXCEPT AS DYNATRON CORPORATION AND DYNAEON INDUSTRIAL CO., LTD. MAY OTHERWISE AGREE TO IN WRITING.

REV#	DESCRIPTION	CHECKER	DATE
0.0	INITIAL RELEASE	Engr.	12/15/22



6	THERMAL GREASE	SHIN-ETSU 7762	N/A
5	C-CLIP	STEEL	4
4	HEATSINK	COPPER	1
3	HEATSINK SPRING	STEEL	4
2	WASHER	STEEL	4
1	HEATSINK SCREW	STEEL	4
ITEM #	DESCRIPTION	MATERIAL	QTY.

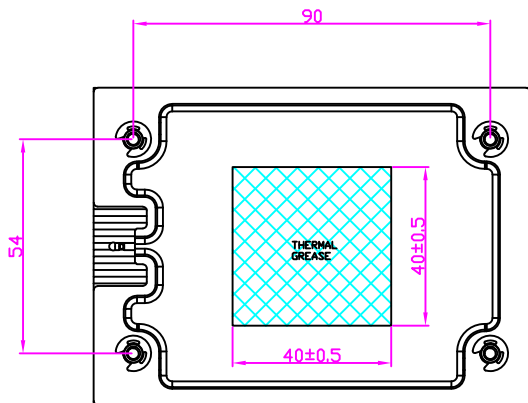
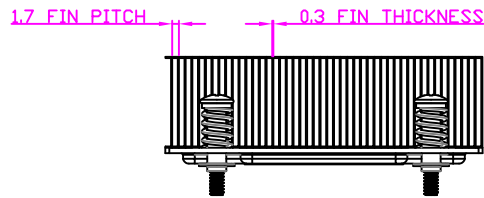
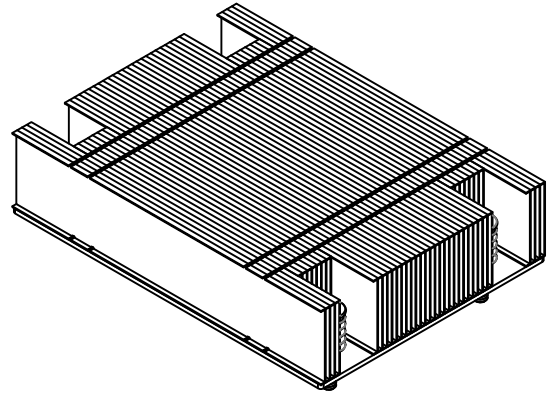
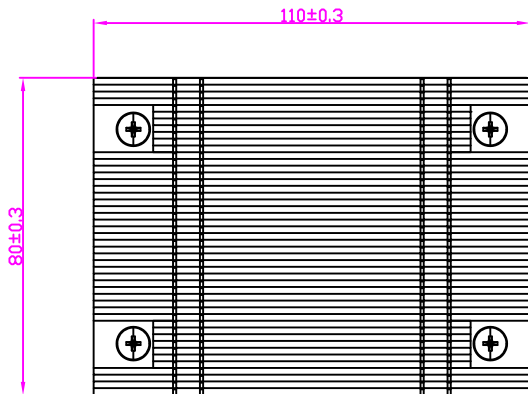
DATE	NAME	 <b>DYNATRON CORPORATION</b>
12/15/22	Engr.	
CHECKED	Engr.	
ENG. APPR.		
MFG. APPR.		
QA		<b>TITLE:</b> 1U Passive Air Cooler A46 BOM & Exploded Assembly Drawing
COMMENTS		
DWG. No:		REV
DYN-EP-A46		0.0

**NOTES:**

1. THE FIGURE IS FOR REFERENCE ONLY, AND NOT FOR SCALE

1 2 3 4 5 6 7

REV#	DESCRIPTION	CHECKER	DATE
0.0	INITIAL RELEASE	Engr.	12/15/22



NOTES:  
1. THE FIGURE IS FOR REFERENCE ONLY, AND NOT FOR SCALE

	NAME	DATE
DRAWN BY	ENGR	12/15/2022
CHECKED BY	ENGR	12/15/2022
ENG. APPROVED		
MFG. APPROVED	-	-



**DYNATRON CORPORATION**

TOP MOTOR

TITLE: 1U Passive Air Cooler A46  
Overall Dimension Drawing

**CONFIDENTIAL DOCUMENT**  
THIS DRAWING CONTAINS INFORMATION PROPRIETARY TO DYNATRON CORPORATION AND DYNAEON INDUSTRIAL CO., LTD. ANY REPRODUCTION, DISCLOSURE, OR USE OF THIS DRAWING IS EXPRESSLY PROHIBITED EXCEPT AS DYNATRON CORPORATION AND DYNAEON INDUSTRIAL CO., LTD. MAY OTHERWISE AGREE TO IN WRITING.

VIEW	
UNITS	MM

DWG. No: DYN-DM-A46

REV. 0.0

1 2 3 4 5 6 7

**A46|** Socket AM5

## Publication History:

12/15/2022: Initial Release

*(Specifications are subject to change without notice)*